

Hydraulic Tool Catchers



TIS Hydraulic tool catchers are installed below the stuffing box or grease injection control head and are designed to engage the fishing neck on the rope socket / cable head, in the event of the wire / cable being detached due to slamming. The fail safe design will automatically engage the rope socket / cable head requiring hydraulic pressure to release.

TIS offer two types of tool catcher assemblies;-

1. Conventional tool catcher with quick union connections.
2. Grease control head type with a flow tube connection and integral ball safety check.

The TIS hydraulic tool catcher range is available with the following options

- 5,000 Psi, 10,000 Psi and 15,000 Psi working pressures.
- standard or sour service.
- Service temperature range of -29 to +121 Degrees C.
- Choice of quick union connections.
- Choice of fishing neck engagement.

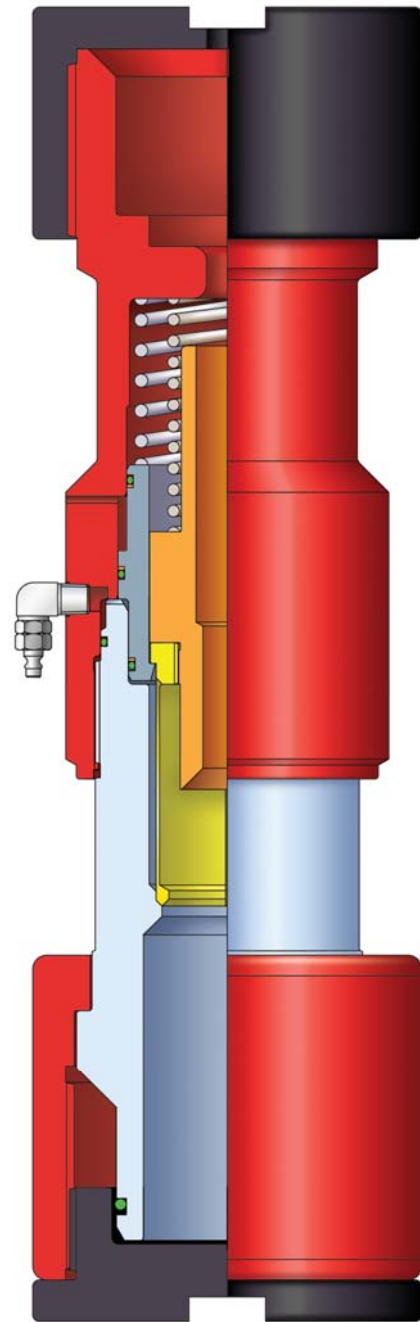
Technical features include

- Operator friendly, compact design.
- Can be set up to engage the following fishing necks:-
1.00" / 1.187" / 1.375" / 1.750" / 2.313".

Hydraulic Toolcatchers

5,000 & 10,000 psi

Working Pressure	Quick Union	Fish Neck	Part Number	Redress Kit
5,000 psi	5-1/2"-4x2'B' Type	1"	0027-00012-TIS	0027-00012-KIT
5,000 psi	5-1/2"-4x2'B' Type	1-3/16"	0027-00013-TIS	0027-00013-KIT
5,000 psi	5-1/2"-4x2'B' Type	1-3/8"	0027-00014-TIS	0027-00014-KIT
5,000 psi	5-1/2"-4x2'B' Type	1-3/4"	0027-00015-TIS	0027-00015-KIT
5,000 psi	5-1/2"-4x2'B' Type	2-5/16"	0027-00016-TIS	0027-00016-KIT
5,000 psi	5"-4Thd'O' Type	1"	0027-00017-TIS	0027-00017-KIT
5,000 psi	5"-4Thd'O' Type	1-3/16"	0027-00018-TIS	0027-00018-KIT
5,000 psi	5"-4Thd'O' Type	1-3/8"	0027-00019-TIS	0027-00019-KIT
5,000 psi	5"-4Thd'O' Type	1-3/4"	0027-00020-TIS	0027-00020-KIT
5,000 psi	5"-4Thd'O' Type	2-5/16"	0027-00021-TIS	0027-00021-KIT
10,000 psi	6-5/16"-4Thd'B'	1"	0027-00007-TIS	0027-00007-KIT
10,000 psi	6-5/16"-4Thd'B'	1-3/16"	0027-00008-TIS	0027-00008-KIT
10,000 psi	6-5/16"-4Thd'B'	1-3/8"	0027-00009-TIS	0027-00009-KIT
10,000 psi	6-5/16"-4Thd'B'	1-3/4"	0027-00010-TIS	0027-00010-KIT
10,000 psi	6-5/16"-4Thd'B'	2-5/16"	0027-00011-TIS	0027-00011-KIT
10,000 psi	5-3/4"-4Thd'O' Type	1"	0027-00006-TIS	0027-00006-KIT
10,000 psi	5-3/4"-4Thd'O' Type	1-3/16"	0027-00005-TIS	0027-00005-KIT
10,000 psi	5-3/4"-4Thd'O' Type	1-3/8"	0027-00003-TIS	0027-00003-KIT
10,000 psi	5-3/4"-4Thd'O' Type	1-3/4"	0027-00001-TIS	0027-00001-KIT
10,000 psi	5-3/4"-4Thd'O' Type	2-5/16"	0027-00004-TIS	0027-00004-KIT



Hydraulic Tool Catcher